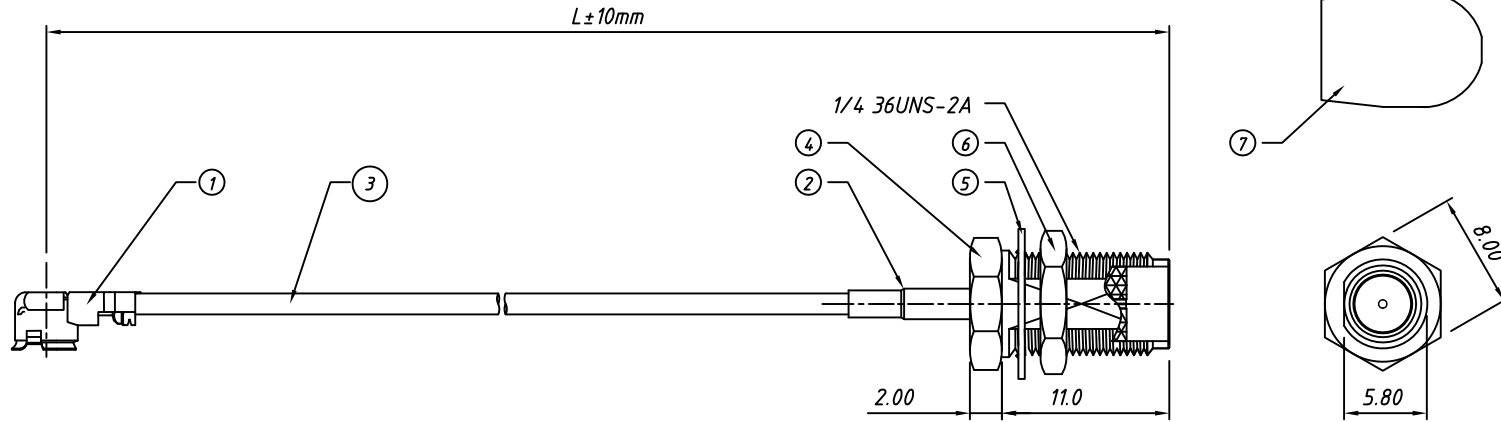


RoHS compliant

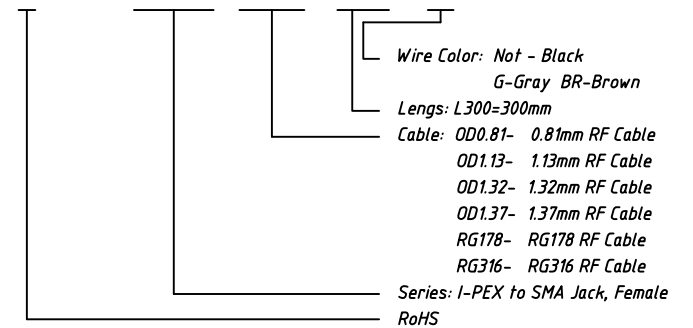


Note:

- 1: V.S.W.R: 1.5(0~3G), Max.
- 2: Wire surface shall have no dirt, broken.
- 3: Connector surface with coating, oxidation phenomenon.
- 4: Connector pins and insulator are in the same plane

Order Information

L- KLS1- RFCA05 -OD1.13 - L300 / X



7	CAP	Rubber CAP,Red	PCS	1
6	Nut	T1.8mm Nut,1/4 36UNS-2A	PCS	1
5	Washers	T0.4mm Washers	PCS	1
4	Connector	SMA Jack,Female Straight , for RG178,RG316,0.81,1.13,1.32,1.37mm	PCS	1
3	RF Cable	RG178,RG316,0.81,1.13,1.32,1.37mm Cable	mm	L
2	Heat-Shrink Tube	φ1.0mm Heat-Shrink Tube,Block,L15mm	PCS	2
1	Connetor	I-PEX Plug, for RG178,RG316,0.81,1.13,1.32,1.37mm Cable	PCS	1
No.	Name	Description	UNITS	Q'ty

		Description:	
		I-PEX to SMA Female Cable	
PROJECTION		KLS P/N:	L-KLS1-RFCA05-xxxx
UNITS	mm		
SHEET SIZE	A4		
Draw:	Daniel 2018-06-21		NingBo KLS ELECTRONIC CO.,L TD.
Check:	Daniel 2018-06-21		